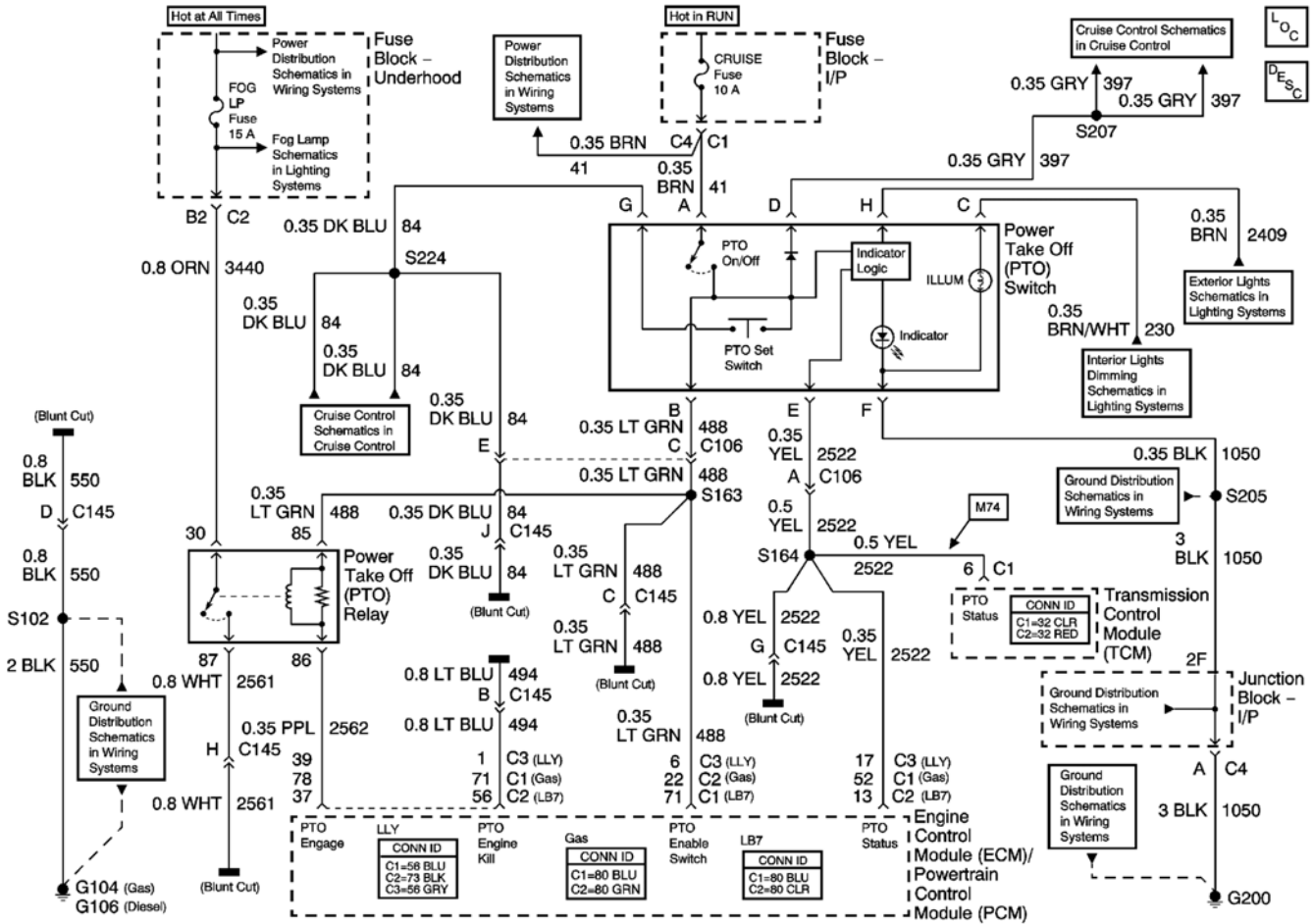


2004-2005 LLY Duramax Fast Idle

The 2004 and 2005 LLY 6.6L GM trucks have an automatic fast idle built right into the truck. Check driver features for automatic fast idle enable and disable.

For additional features, you can wire the truck as follows with GM kit part number # 12497678, however, the PTO Switch may not be available from GM Service Parts. Two switches may be added to simulate the function of this part. Latching Switch (PTO on/off) and Momentary Switch (PTO Set switch). The cruise control switch can also be used if properly wired.



2004-2005 LLY

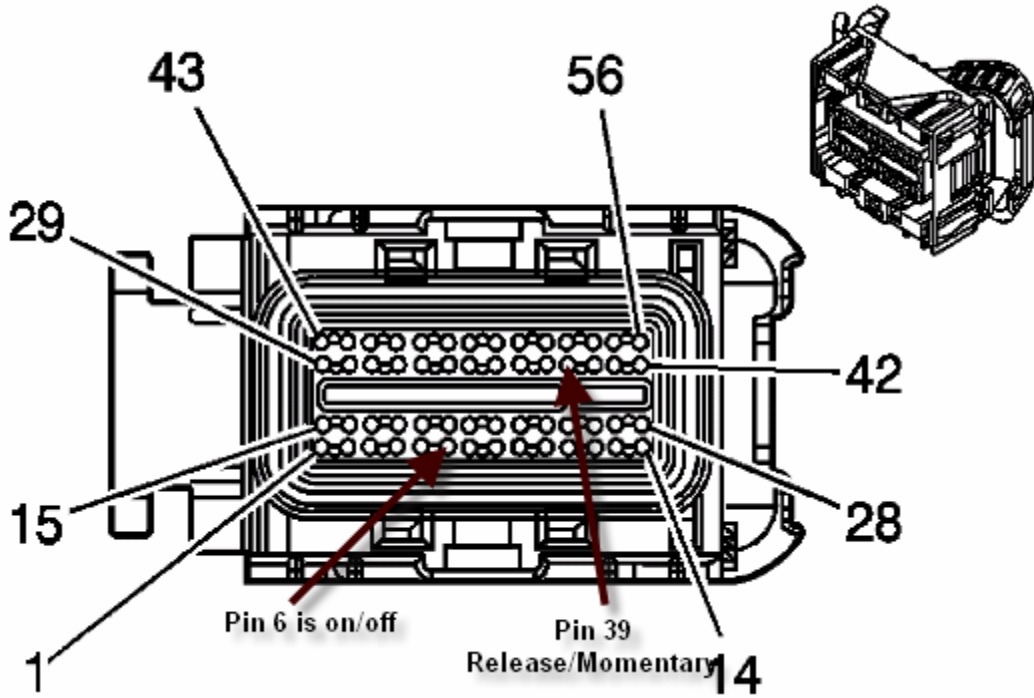
All of the wiring required to operate Fast Idle is present. 2500 and 3500 series trucks need to have the 488 circuit added from C106 to the ECM as shown in the schematic. C106 is located on the side of the Underhood electrical center.

Circuit # 2562 PTO Engage **494** PTO Engine Kill (Shutoff) **488** PTO Enable Switch **2522** PTO Status

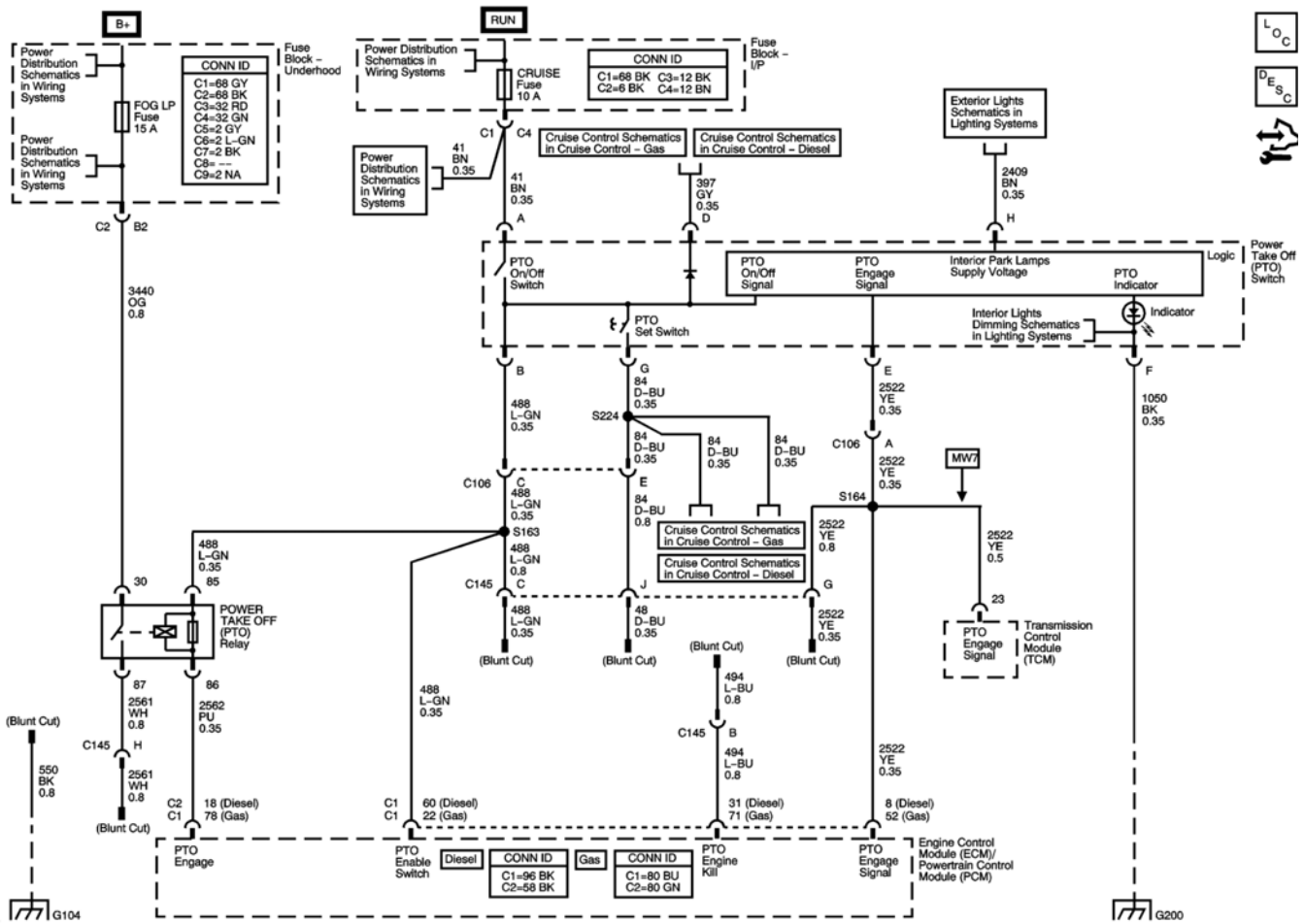
04-05 LLY Diesel

- C3=56 way (GRY) Pin 39 is circuit **2562** PTO Engage
- Pin 1 is circuit **494** PTO Engine Kill (Shutoff)
- Pin 6 is circuit **488** PTO Enable Switch
- Pin 17 is circuit **2522** PTO Status

So **C3 Pin 6** is the ON/OFF switch. **C39** is the release and momentary switch.



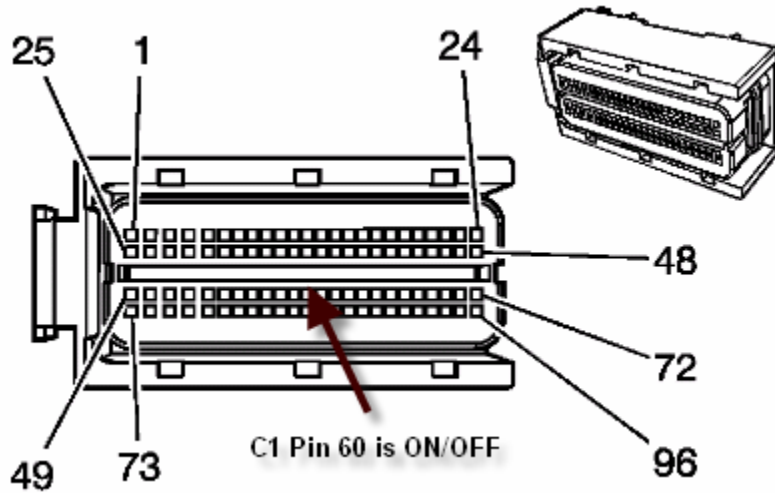
2006 LLY BOSCH ECM ENGINE/CONNECTOR PIN-OUT



06 LLY Diesel

C1=96 way (BLK) Pin 31 is circuit **494** PTO Engine Kill (Shutoff) Pin 60 is circuit **488** PTO Enable Switch and Pin 8 is circuit **2522** PTO Status

C2=58 way (BLK) Pin 18 is circuit # **2562** which is PTO Engage.



C2 pin 18 is the release and momentary switch, and C1 Pin 60 is the on/off switch.

